

User Manual

S350 E-bike Intelligent Display



Model: S350

Working Voltage: DC 36V

Functions: Power switch control

Battery indicator

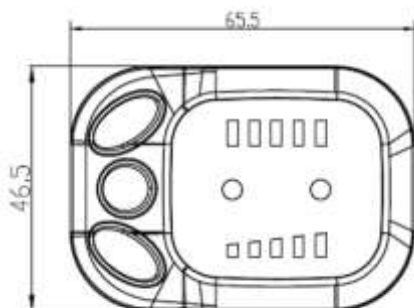
5 Assist levels for power control

Headlight control

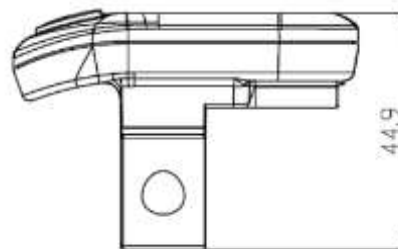
CAN communication

1. Appearance size and material

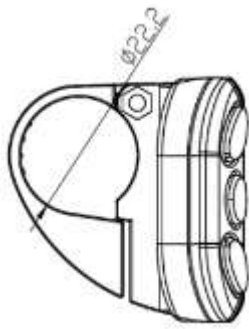
The shell of the product is ABS, and the material of the shell is allowed to be used normally in the temperature of -20°C - 60°C , and can guarantee good mechanical properties.



Front view




Lateral view





2. S350 Instrument Operation Instructions:

1---Power on: Press  button to turn on the instrument.

2---Battery Level: When battery power is 100%,  LED light will show full levels, When LED light is flashing continuously, it means it's low battery now, and you have to recharge.

3---Assist power control:  This area is assist power control area and display area. It starts with LOW assist level,

and assist signal will be increased every time when button  is pressed. When it starts with HIGH assist level, and assist signal will be

decreased every time when button  is pressed.

4---Headlight control: Long press button  for 3 seconds to turn on/off the headlight.